

Recessed CE7035

# CE7035-A120



# CE7035-A120

## Basic Parameters

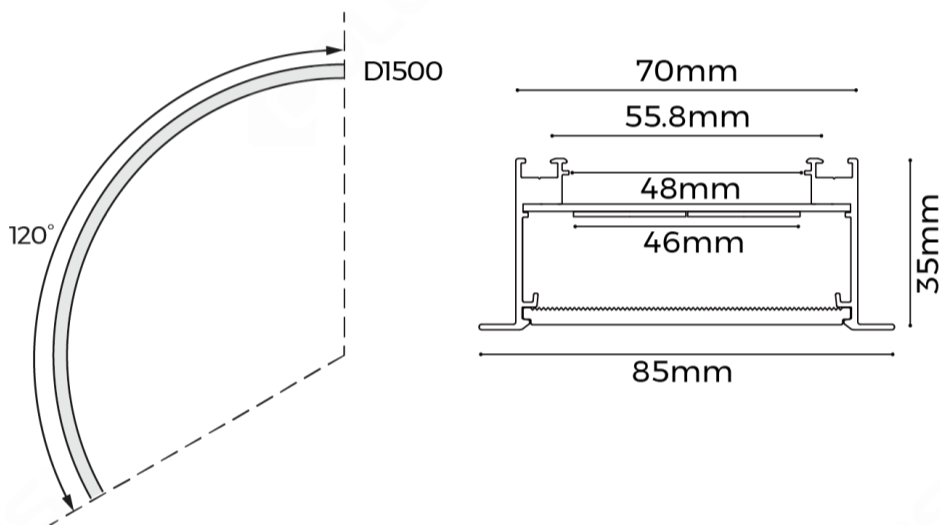
Application	Indoor
Material	AL6063-T5,spraying surface
IP Grade	IP20
Warranty	5 years

## Electrical Parameters

## Optical Parameters

Length	D1500mm
Luminous Efficacy	85LM/W

## Dimensions

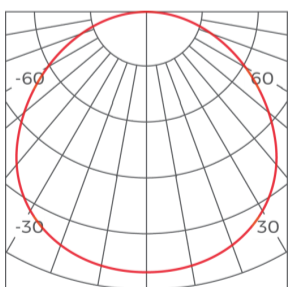


## Luminaire Parameters

Version	Size(mm)	Power(W)	PCB Current(A)	CRI	CCT	Lumens(LM) @White, Silver	Lumens(LM) @Black
Regular	D1500mm	86	3.58	>80	4000K	7310	6213
Regular	D1500mm	86	3.58	>90	4000K	6286	5343

## Light Distribution

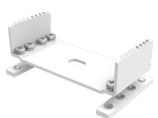
Regular-110°



h(m)	D(cm)	E(lx)
1	285	2022
2	571	487
3	856	207
4	1142	117

## Common Accessories

### Splicing accessory



EX-E17

Applicable product model: CS7035/  
CE7035 Material process:SPCC/ Elect  
rophoresis Size: L66.5\*W30\*H18mm  
Quantity: 1 PCS/SET Other:Includes  
mounting screws.

## Dedicated light source



### DM51202423

Applicable product model: CS5035/CS5070/CE5035(stick a single strip)  
CS7035/CS7070/CE7035(paste two strips placed parallel to each other)  
Size: 4000\*23\*1.5mm/5000\*23\*1.5mm  
Cutting Unit:50mm  
Input Voltage:DC24V  
Typ.Power:14.4W/M(5M/roll); 24W/M(4M/roll)  
Typ.luminous flux:  
800LM/M@RGBNW(5M/roll)  
1320LM/M@RGBNW(4M/roll)  
CCT:RGB(DMX)+2700/RGB(DMX)+3000/RGB(DMX)+4000/RGB(DMX)+6000K  
CRI: RA80 @ white light  
Other:20# wire diameter,outer diameter 5.5mm, PVC material;5PIN red/black/green/blue/white wire



### DS81602423

Applicable product model: CS5035/CS5070/CE5035(stick a single strip)  
CS7035/CS7070/CE7035(paste two strips placed parallel to each other)  
Size: 4000\*23\*1.5mm/5000\*23\*1.5mm  
Cutting Unit:50mm  
Input Voltage:DC24V  
Typ.Power:14.4W/M(5M/roll); 24W/M(4M/roll)  
Typ.luminous flux:  
2300LM/M@RA80,4000k(5M/roll)  
3600LM/M@RA80,4000k(4M/roll)  
CCT: 2700/3000/3500/4000/5000/6500K  
CRI: 80/90  
Other:18# wire diameter,PVC material, 2PIN red-black wire



### DS83202423

Applicable product model:CS5035/CS5070/CE5035(stick a single strip)  
CS7035/CS7070/CE7035(paste two strips placed parallel to each other)  
Size: 3000\*23\*1.5mm/4000\*23\*1.5mm  
Cutting Unit:50mm/16LEDs  
Input Voltage:DC24V  
Typ.Power:  
48W/M(2700K+6500K)@3M/roll  
28.8W/M(2700K+6500K)@4M/roll  
Typ.luminous flux:  
4000LM/M@RA80,2700K+6500K(4M/roll)  
6700LM/M@RA80,2700K+6500K(3M/roll)  
CCT: 2700K+6500K  
CRI: 80/90  
Other:Outer diameter 6mm,18# wire diameter, brown-blue-green 3PIN crystal wire

## Cover



### CV-CS7035D

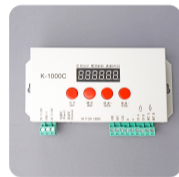
Applicable product model:CS7035/CS7070/CE7035(suitable for down-lighting)  
Diffuser Nature: Diffuser  
Material process: Silica gel flexible/smooth  
Light transmittance:≥65%  
Size: 20000\*67.2\*5mm  
Other: Fire protection rating UL94-V2 ;

## Controller



### CR2-GBA

Product Name: CR2-GBA Input Voltage: 12-48V Output Current:8A\*2CH,Max 16A Output Power:192W/384W@12V/24V , 384W/576W@36V/48V Dimming Mode: Two-color 2.4 remote control IP:IP20 Product Size:L175\*W45\*H27(mm)



### K-1000C

Product Name: K-1000C Input voltage: 5-24V Control Pixel Points:Point Control 1CH\*1024(SPI),Point Control 1CH\*512(DMX) Dimming mode: DMX/SPI control IP:IP20Warranty: 5 years



### K-8000C

Product Name: K-8000C Input Voltage: 5-24V Control Pixel Points:Point Control 8CH\*1024(SPI),Point Control 8CH\*512(DMX) Dimming mode:DMX/SPI control IP:IP20Warranty: 5 years

## End cap accessory



### EC-ME7035

Applicable product model: ME7035  
Material process: aluminum/ powder spraying Size: L85\*W35\*H2.5mm Quantity:2PCS/ set

## Installation accessory



### CP-55

Applicable product model: MS7035/MS7070/ME7035 Applicable installation: Pendant/Ceiling/Recessed Material process: Stainless Steel Size: L57.87\*W20\*H5.4mm Quantity: 4 PCS/SET



### RB-04

Applicable product model: ME3535/ME5035/ME7035 Installation method: Recessed Material process: aluminum alloy/oil spray Size: 24\*6.9\*15.7mm Quantity: 4PCS/ set

## CCT-Remote control



### R7-1

Product Name:R7-1 Dual Color Remote Working Voltage : 3VDC (Battery CR2032 Operating Frequency:2.4GHz Remote Control Distance: 30 meters Operating Temperature: -30°C~55°C Product Size: L107\*W58.5\*H9(mm)

**Power Supply**



**BK-DEV200-24V0D**  
 Applicable product model: General  
 Dimming mode: DALI2,PUSH-dimming,1-10V 3in1 dimming  
 Size: 361\*33.1\*22.8mm  
 Input voltage: AC200-240V  
 Operating frequency: 50/60Hz  
 PF value: ≥0.9  
 Output voltage: DC24V  
 Output current: ≤8.3A  
 Power: 200W  
 Efficiency: 0.92  
 Certification: TUV, CE, RCM  
 Case material: Metal housing



**BK-DGVX-24V0D**  
 ProductName: BK-DGV036-24V0D/BK-DGV060-24V0D/BK-DGV100-24V0D  
 Applicable product model: General  
 Output power: 36W/60W/100W  
 Output current: ≤1.5A/≤2.5A/≤4.2A  
 Product size: 245.0\*30.0\*21.0mm/285.0\*30.0\*21.0mm/355.0\*30.0\*21.0mm  
 Input voltage: AC200-240V  
 Operating frequency: 50/60Hz  
 Output voltage: DC24V  
 PF value: ≥0.9  
 Efficiency: ≥0.88  
 IP: IP20  
 Dimming mode: DALI-2,PUSH-Dimming,1-10V 3in1 Dimming  
 Certification: CE, ENEC, UKCA, RCM, CCC, EL  
 Material: Metal housing  
 Warranty: 5 years



**BK-MEV200-24V0M**  
 Applicable product model: General  
 Dimming mode: 1-10V Dimming  
 Size: 321.5\*48\*30mm  
 Input voltage: AC200-240V  
 Operating frequency: 50/60Hz  
 PF value: ≥0.9  
 Output voltage: DC24V  
 Output current: ≤8.3A  
 Power: 200W  
 Efficiency: 0.93  
 Certification: CE, ENEC, UKCA, RCM, CCC, EL  
 Case material: Metal housing



**BK-MGVX-24V0M**  
 ProductName: BK-MGV036-24V0M/BK-MGV060-24V0M/BK-MGV100-24V0M  
 Applicable product model: General  
 Output power: 36W/60W/100W  
 Output current: ≤1.5A/≤2.5A/≤4.2A  
 Product size: 245.0\*30.0\*21.0mm/285.0\*30.0\*21.0mm/355.0\*30.0\*21.0mm  
 Input voltage: AC200-240V  
 Operating frequency: 50/60Hz  
 Output voltage: DC24V  
 PF value: ≥0.9  
 Efficiency: ≥0.89  
 IP: IP20  
 Dimming mode: 1-10V Dimming  
 Certification: TUV, CE, ENEC, RCM  
 Material: Metal housing  
 Warranty: 5 years



**LF-GHYXH24**  
 Applicable product model: General  
 Dimming mode: Non-Dimming  
 Size: 316\*30.7\*22.8mm / 361\*33.1\*22.8mm  
 Input voltage: AC220-240V  
 Operating frequency: 50/60Hz  
 PF value: ≥0.9  
 Output voltage: DC24V  
 Output current: ≤4.25A / ≤10A  
 Power: 100W / 240W  
 Efficiency: 0.92  
 Certification: ENEC,CE,CB,RCM,UKCA,MM,CCC  
 Case material: Plastic

**Packing**

QTY/CTN	N. WT (ctn)	G.WT (ctn)	Size (cm/carton)	Product Size (mm)
15	22.7	24.97	136.5*86*21	D1500*70*35mm